

Rocla TP20acd is a fast and efficient pallet truck with driver's platform for moving two pallets simultaneously. This high-performance truck is suitable for demanding professional use in trade and industry warehouses and the loading and unloading of lorries. Due to sturdy construct, intelligent features and excellent ergonomics this pallet truck is pleasant to use and easy to control. Thanks to the range of options available, TP20acd can be tailored to match various customer needs.



TP20acd

Rocla

The intelligent way to move



- Fast pallet truck for moving two pallets simultaneously even in longer distances.
- A compact 790 mm wide chassis eases pallet handling, for example, in lorries.
- Driving on a platform makes work much more efficient compared to pedestrian stackers.
- The driver's platform can be raised, easing work in confined spaces.
- Excellent usability, an ergonomic tiller arm and suspended platform provide essential assistance to drivers.
- Rocla's patented Integral mast lifts precisely even the heaviest pallets.

TP20acd

1	IDENTIFICATION		
1.1	Manufacturer		Rocla Oyj
1.2	Model		TP20acd
1.3	Power source		Battery
1.4	Operating mode		Pedestrian/Stand-on
1.5	Nominal capacity/load	Q [kg]	1000 + 1000
1.6	Load center (COG)	c [mm]	600
1.7	Load wheel axle to fork face (forks lowered)	x [mm]	946
1.8	Wheelbase (forks lowered)	y [mm]	1553
2	WEIGHTS		
2.1	Truck weight (with nominal load & battery)	[kg]	3270 3)
2.2	Axle loadings (with load and battery), drive/load side	[kg]	1270 / 2000 3)
2.3	Axle loadings (without load/with battery), drive/load side	[kg]	920 / 350 3)
3	WHEELS AND TYRES		
3.1	Tyres, material (Vul=Vulkollan) drive/load side		Vul/Vul
3.2	Load wheel dimensions (diameter x width)	[mm]	85x75
3.3	Drive wheel dimensions (diameter x width)	[mm]	230x70
3.4	Castor wheel dimensions (diameter x width)	[mm]	150x50
3.5	Number of the wheels (x=driven) drive/load side		2+1x/4
3.6	Track width (centre of tyres), drive side	b10 [mm]	550
3.7	Track width (centre of tyres), load side	b11 [mm]	401
4	DIMENSIONS		
4.7	Height of the tiller arm in travel position (Min/Max)	h14 [mm]	1141 / 1341
4.8	Fork height, fully lowered	h13 [mm]	92
4.9	Overall length, platform up/down	l1 [mm]	2037 / 2493
4.10	Powerhead length (to fork face), platform up/down	l2 [mm]	887 / 1343
4.11	Chassis (overall width)	b1 [mm]	790
4.12	Fork dimensions (thickness/width/length)	s/e/l [mm]	56 / 185 / 1150
4.14	Outside width over forks	b5 [mm]	570
4.15	Ground clearance (forks lowered)	m2 [mm]	25
4.33	Working aisle width, pallet 800x1200 load lengthwise, platform up	Ast3 [mm]	2304
4.33	Working aisle width, pallet 800x1200 load lengthwise, platform down	Ast3 [mm]	2743
4.33	Working aisle width, pallet 1000x1200 load lengthwise, platform up	Ast [mm]	2611
4.33	Working aisle width, pallet 1000x1200 load lengthwise, platform down	Ast [mm]	3050
4.34	Working aisle width, pallet 800x1200 load lengthwise, platform up	Ast [mm]	2524
4.34	Working aisle width, pallet 800x1200 load lengthwise, platform down	Ast [mm]	2963
4.35	Turning radius (forks lowered), platform up/down	Wa [mm]	1850/2289
5	PERFORMANCE		
5.1	Travel speed, laden/unladen	[km/h]	8,5 / 8,5
5.2	Lifting speed, laden/unladen	[m/s]	0.15 / 0,22
5.3	Lowering speed, laden/unladen	[m/s]	0.26 / 0,21
5.4	Gradeability, laden/unladen	[%]	7 / 15
5.5	Service brake		Magn. brake
6	MOTORS		
6.1	Drive motor S2 60min	[kW]	2
6.2	Lift motor S3 - %	[kW/%]	2,2 / 10
6.3	Battery voltage/capacity (5h)	[V/Ah]	24/375
6.4	Battery weight	[kg]	285
8	MISCELLANEOUS		
8.1	Speed control type		Stepless
8.4 **	Level of noise at the ear level of the driver according to EN 12 053:2001 and EN ISO 4871 in work LpA	[dB (A)]	68
	Level of noise at the ear level of the driver according to EN 12 053:2001 and EN ISO 487, drive/lift/idle LpA	[dB (A)]	72 / 70 / 47
	Whole-body vibration according to EN 13 059:2002	[m/s ²]	0,5
	Hand-arm vibration according to EN 13 059:2002	[m/s ²]	< 2,5

3) = D2000

** Uncertainty of 4 dB(A) in section 8.4

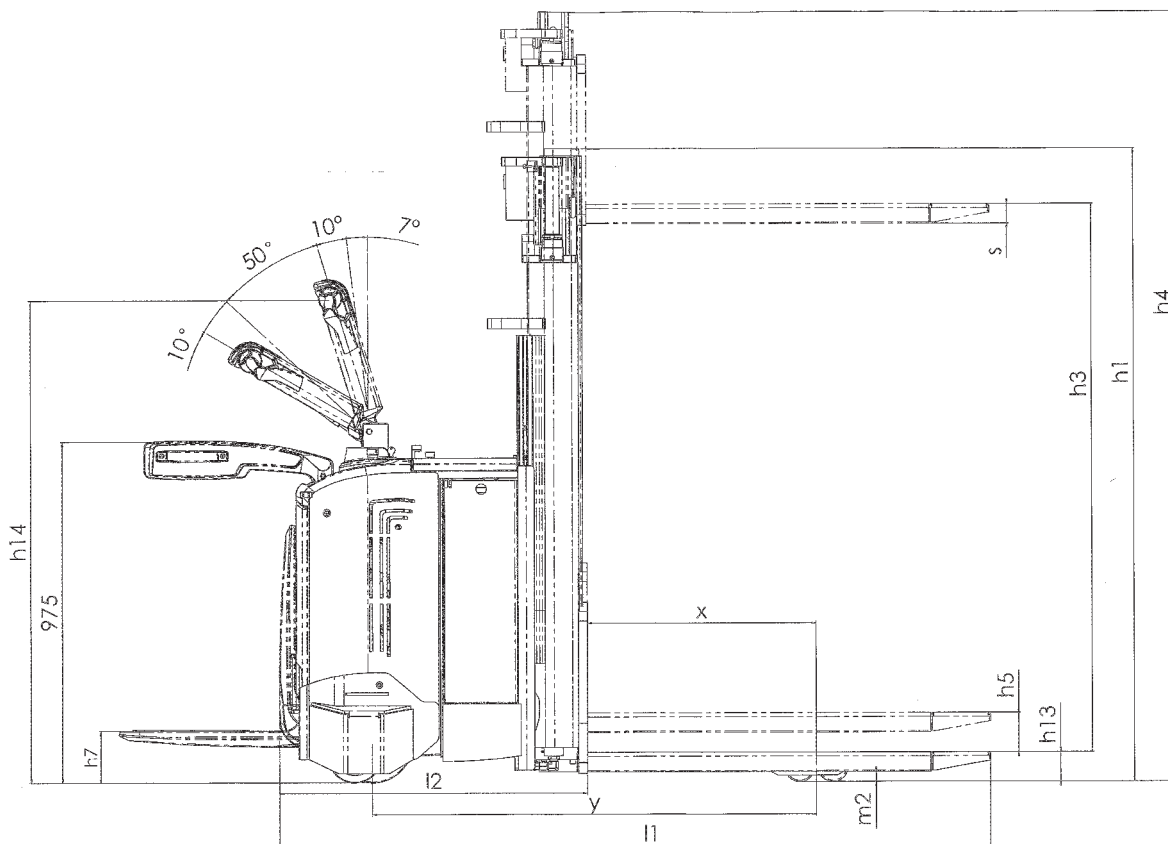
Ast3=Wa-x+16+200

Ast=Wa+R+200



TP20acd				
Mast	h3+h13	h1	h4	h2+h13
D	1600	1371	2101	(155)
	2000	1571	2501	(155)

D = Duplex with Clear View Mast
 h3+h13 = Lift height
 h1 = Lowered mast height
 h4 = Raised mast height
 h2+h13 = Free lift height



TP20acd

Fast and durable pallet truck equipped with Integral mast moves two pallets weighing 1,000 kg each simultaneously or one pallet weighing 1,600 kg. Good battery capacity and comprehensive range of options together with excellent usability ensure a pleasant and efficient working in different environments. The heavy-duty TP20acd increases the productivity of work significantly.



Options

Wrap reel holder

Display and PIN-code unit (incl. driver specific settings, fault diagnostic, start-button)

Scale, hydraulic load weight sensor and display ± 50 kg

Drive speed 9–12 km/h (recognises the load from hydraulic pressure, changes according to the load)

Rubber flap on bumper

Current output 12V / 8A

Stepless lifting and lowering

Battery changing device for two batteries (use with handpallet truck)

Fast battery locking



1. Rocla's awarded h2 tiller arm is very robust, easy to use and ergonomic. The controls are easy to reach and its softened handles make its use comfortable.



2. Aluminium, suspended platform is spacious. Together with the cushioned, wide sidebars placed in a right height they offer excellent support and drive comfort.



3. Driver has good visibility in every direction. The advanced Integral mast is available in 1,600 mm and 2,000 mm lift heights.

Rocla

The intelligent way to move

Rocla Oyj

P.O.Box 88

04401 Järvenpää

Tel. 020 778 11

Fax 020 778 1470

www.rocla.com

e-mail: rocla@rocla.com